



### Operation mode:

The MEK upper part (1) is mounted on the MGW or SWS top.

Connect the MEK base (2) to the MGW base.

The MEK is automatically coupled by the mechanical connection of the change system.

### Advantages:

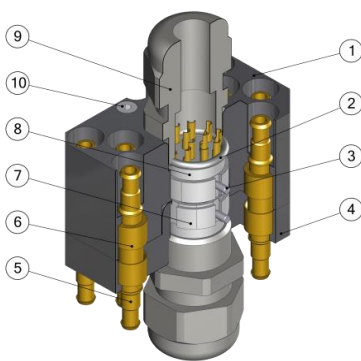
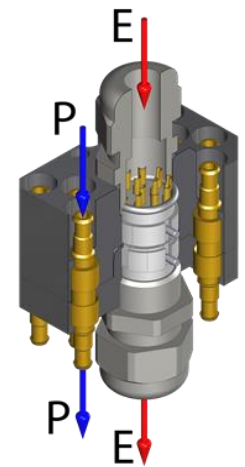
Mechanical, pneumatic and electric connections are established simultaneously.

Can withstand 50,000 alternating cycles

Individual wiring

Coding of the interchangeable parts

Technical specifications		MEK063	
Suitable for		MGW063, SWS063	
Pneumatic ducts	number <b>P</b>	4 / 8	
	nominal width NW [mm]	PK2 / PK3 / PK4	
	max. pressure p [bar]	8	
Electrical ducts	no. of poles <b>E</b>	12	4
	rated current in [A]	9	20
	rated voltage U [V]	63	125
	<b>contact resistance R [mΩ]</b>	3	1,3
	contact durability	50.000	
Mass [kg]	upper part	0,11	
	base	0,06	
Protection class (higher requirement only on request)		IP 40	



Pos.	Description
1	Upper part
2	O-Ring
3	Cylindrical pin
4	Base
5	Female coupling
6	Male coupling
7	Insulation body / bushings
8	Insulation body / pins
9	Screwed cable gland Pg11
10	Mounting screw O

### Multi energy coupling Ø63...

G-MEK063-O-4PK2-1E12	upper part, 4 x air, ID = 2 mm, electrical connector 12 poles
G-MEK063-O-4PK2-1E4	upper part, 4 x air, ID = 2 mm, electrical connector 4 poles
G-MEK063-O-4PK3-1E12	upper part, 4 x air, ID = 3 mm, electrical connector 12 poles
G-MEK063-O-4PK3-1E4	upper part, 4 x air, ID = 3 mm, electrical connector 4 poles
G-MEK063-O-4PK4-1E12	upper part, 4 x air, ID = 4 mm, electrical connector 12 poles
G-MEK063-O-4PK4-1E4	upper part, 4 x air, ID = 4 mm, electrical connector 4 poles
G-MEK063-O-8PK2-1E12	upper part, 8 x air, ID = 2 mm, electrical connector 12 poles
G-MEK063-O-8PK2-1E4	upper part, 8 x air, ID = 2 mm, electrical connector 4 poles
G-MEK063-O-8PK3-1E12	upper part, 8 x air, ID = 3 mm, electrical connector 12 poles
G-MEK063-O-8PK3-1E4	upper part, 8 x air, ID = 3 mm, electrical connector 4 poles
G-MEK063-O-8PK4-1E12	upper part, 8 x air, ID = 4 mm, electrical connector 12 poles
G-MEK063-O-8PK4-1E4	upper part, 8 x air, ID = 4 mm, electrical connector 4 poles
G-MEK063-U-4PK2-1E12	base, 4 x air, ID = 2 mm, electrical bushing 12 poles
G-MEK063-U-4PK2-1E4	base, 4 x air, ID = 2 mm, electrical bushing 4 poles
G-MEK063-U-4PK3-1E12	base, 4 x air, ID = 3 mm, electrical bushing 12 poles
G-MEK063-U-4PK3-1E4	base, 4 x air, ID = 3 mm, electrical bushing 4 poles
G-MEK063-U-4PK4-1E12	base, 4 x air, ID = 4 mm, electrical bushing 12 poles
G-MEK063-U-4PK4-1E4	base, 4 x air, ID = 4 mm, electrical bushing 4 poles
G-MEK063-U-8PK2-1E12	base, 8 x air, ID = 2 mm, electrical bushing 12 poles
G-MEK063-U-8PK2-1E4	base, 8 x air, ID = 2 mm, electrical bushing 4 poles
G-MEK063-U-8PK3-1E12	base, 8 x air, ID = 3 mm, electrical bushing 12 poles
G-MEK063-U-8PK3-1E4	base, 8 x air, ID = 3 mm, electrical bushing 4 poles
G-MEK063-U-8PK4-1E12	base, 8 x air, ID = 4 mm, electrical bushing 12 poles
G-MEK063-U-8PK4-1E4	base, 8 x air, ID = 4 mm, electrical bushing 4 poles