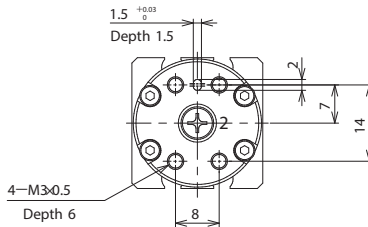
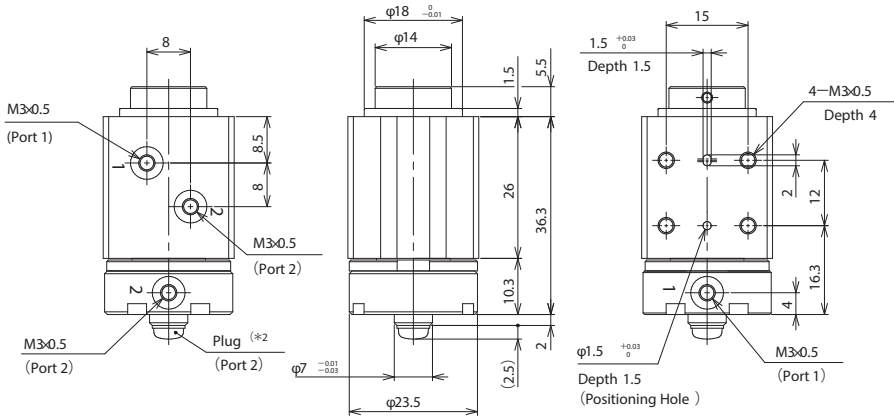
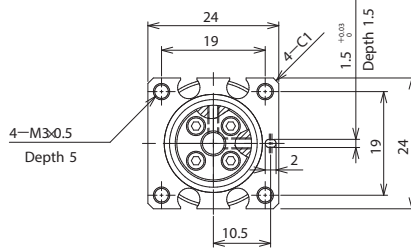


Dimensions

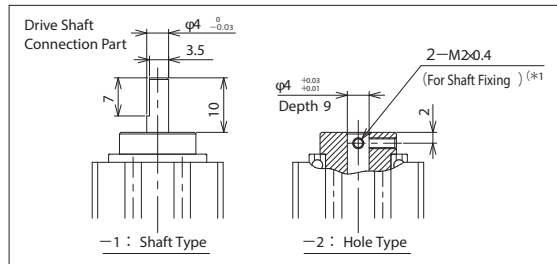
NEOKS -8-

Drive Shaft Connection Part

1: Shaft Type
2: Hole Type



- *1) For the hole type, 2 shaft fixing screws (M2x4L) are attached.
- *2) For the position change of the table ports 2, see P8.
- *3) Switch can not be used.



Dimensions (NEOKS-8)